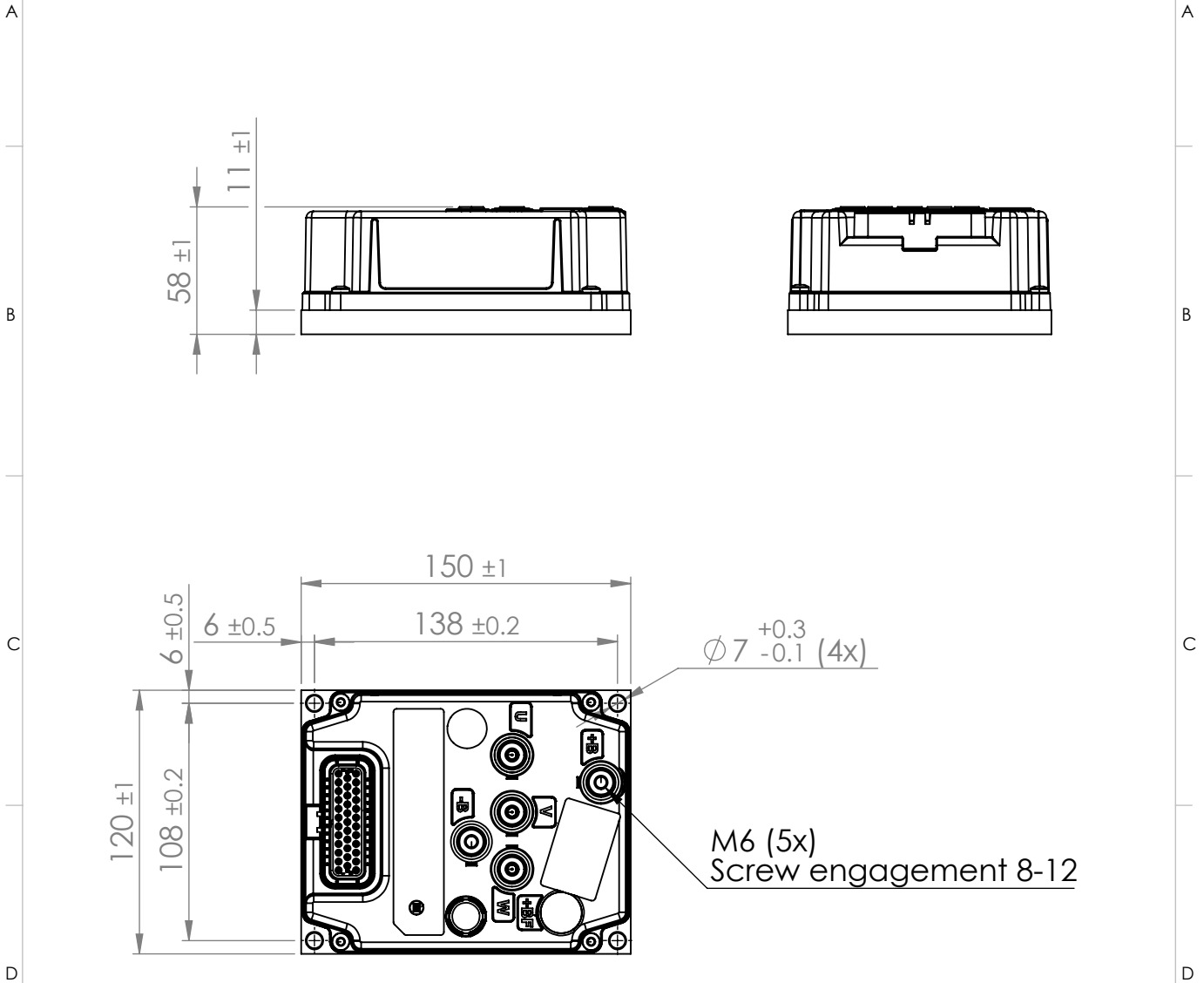
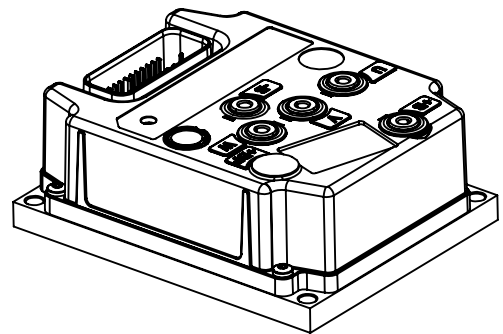


1	2	3	4
Rev	Change note	Changed	Date
01	First release.	JHD	16/06/2020



Drawing notes:

1. See 3D-model for further details.
2. I/O connector versions:
35 pos AMPseal blk.
3. Weight is $\pm 10\%$.



Material:

-

Surface Treatment:

-

Description

Standard ACS G7 W Heatsink C

Status	Initial Designer	Weight	General Tolerance	General Roughness	Units
released	JHD	1 kg	-	Ra: -	mm

Document No.	Rev	Page No.	Projection View
MC002503A	01	1(1)	



Document No. MC002503A

Rev 01

Page No. 1(1)

