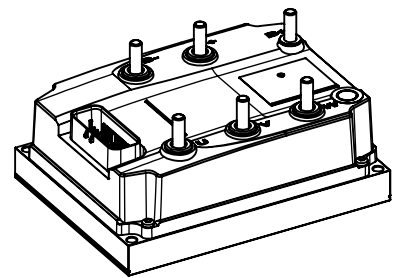
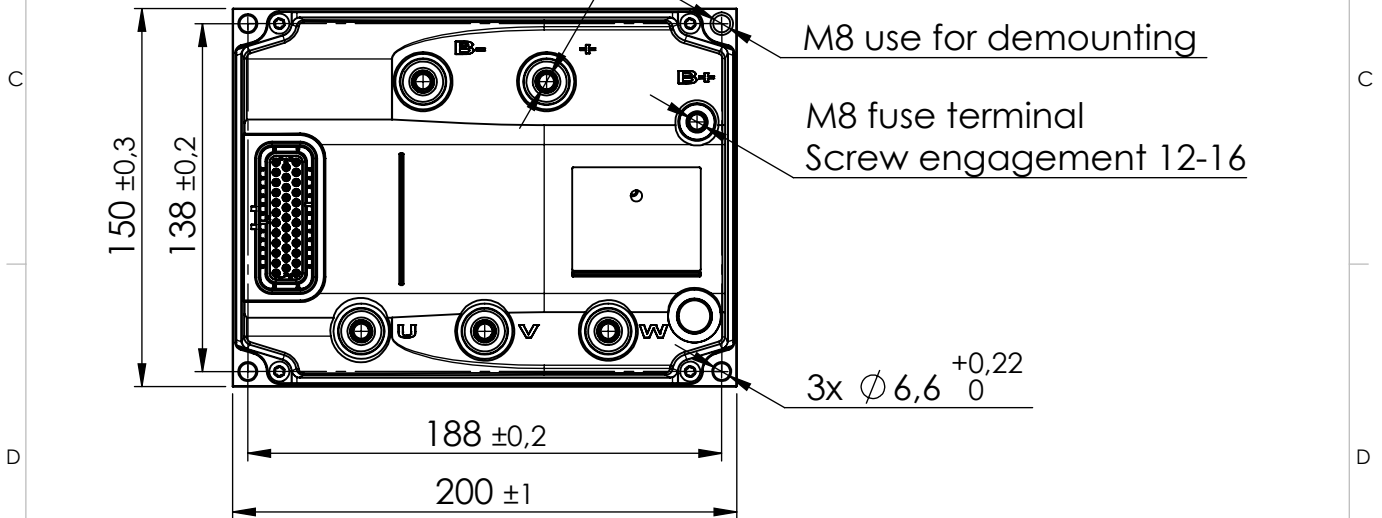
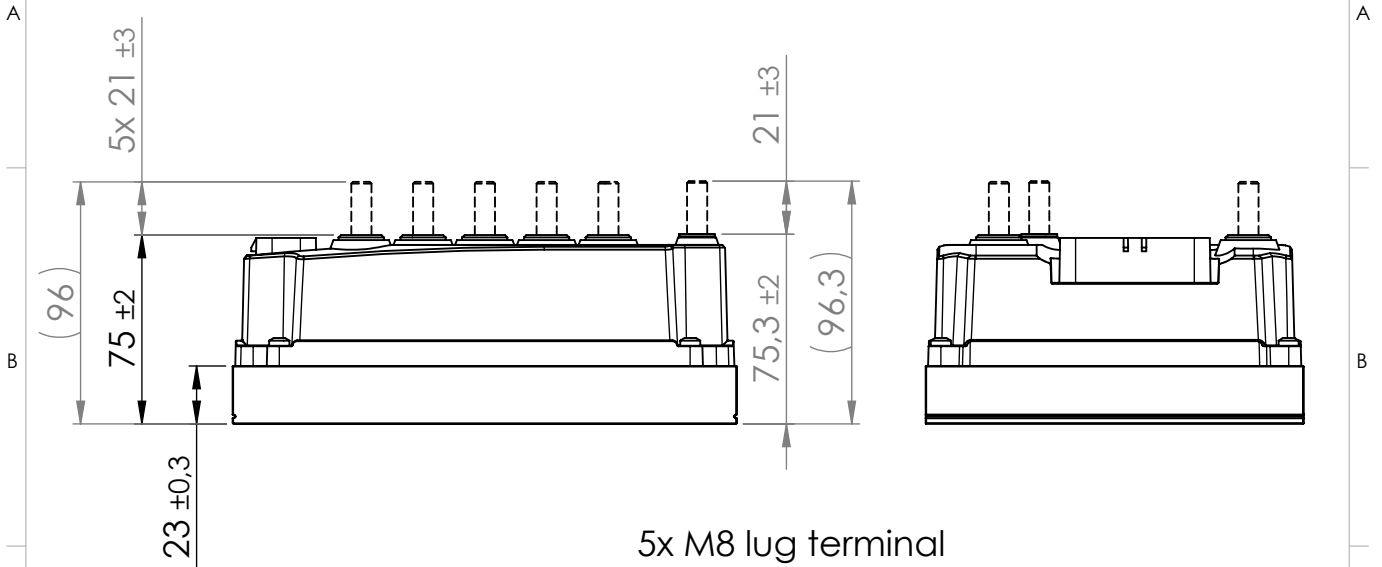


Rev	Change note (from PDMW)	Changed	Date
02	Added (5 x lug terminals) M8 x 55 and (1 x fuse terminal) M8 x 30.	SHM	2018-06-28



Drawing notes:

1. See 3D-model for further details.
2. Weight $\pm 10\%$.
3. I/O connector versions:
 - a) 23 pos AMP seal blk
 - b) 35 pos AMP seal blk
4. M8 stud for lug and fuse terminal are optional.

Material:

Surface Treatment:

Description

Standard ACS G7 M Heatsink C

Status released	Initial Designer LHN	Weight 2.5 kg	General Tolerance -	General Roughness Ra:	Units mm
--------------------	-------------------------	------------------	------------------------	--------------------------	-------------

Document No. MC001738B	Rev 02	Page No. 1(1)	Projection View
---------------------------	-----------	------------------	---------------------