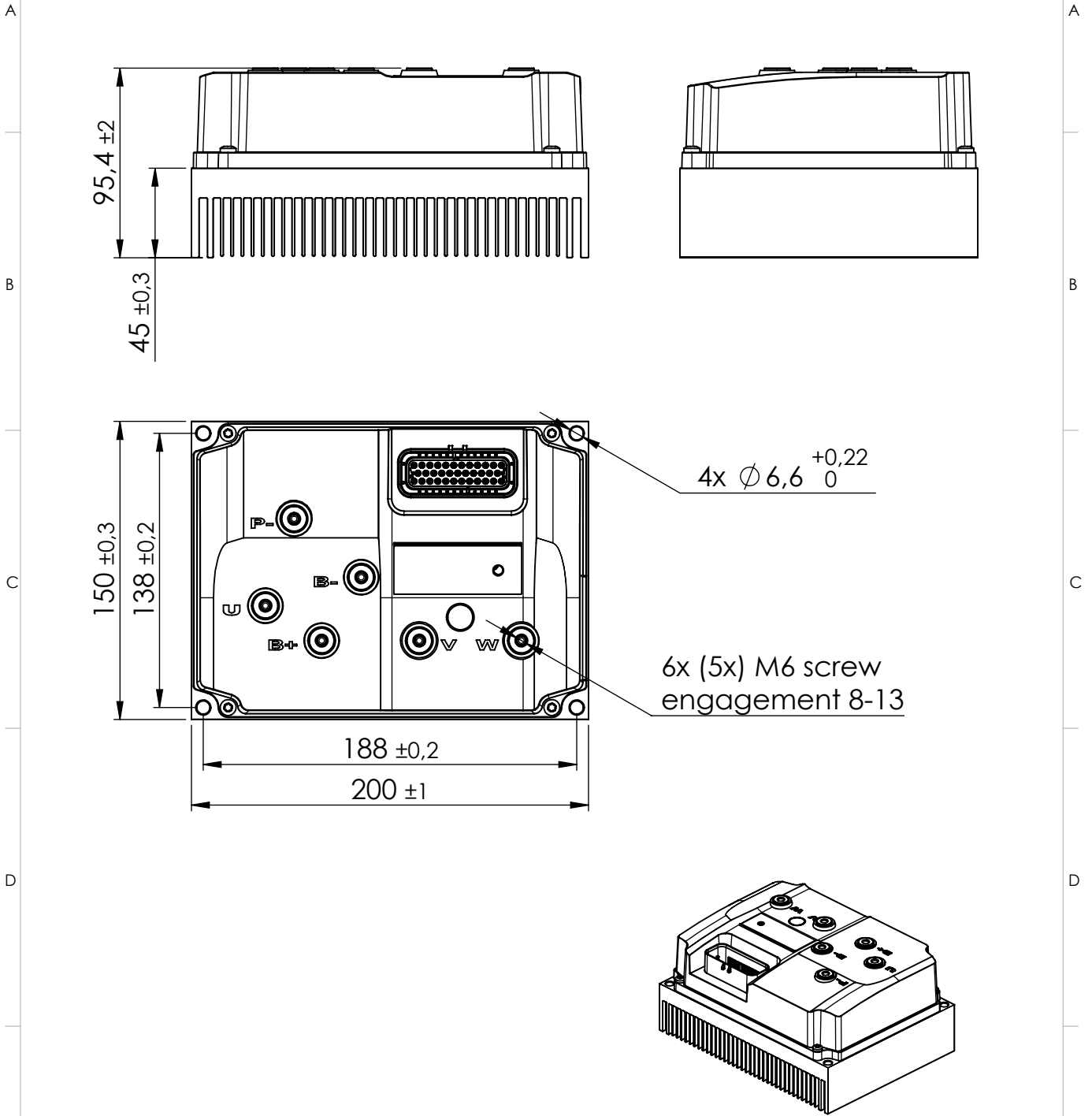


Rev	Change note (from PDMW)	Changed	Date
01	First release	LHN	2018-01-31



- Drawing notes:
1. See 3D-model for further details
 2. Weight $\pm 10\%$
 3. Pump (P-) connection is optional

Material:

Surface Treatment:

Description
Standard ACS G7 S Heatsink Y

Status released	Initial Designer LHN	Weight 2.3 kg	General Tolerance -	General Roughness Ra:	Units mm
--------------------	-------------------------	------------------	------------------------	--------------------------	-------------

Document No. MC001872D		Rev 01	Page No. 1(1)	Projection View
---------------------------	--	-----------	------------------	---------------------