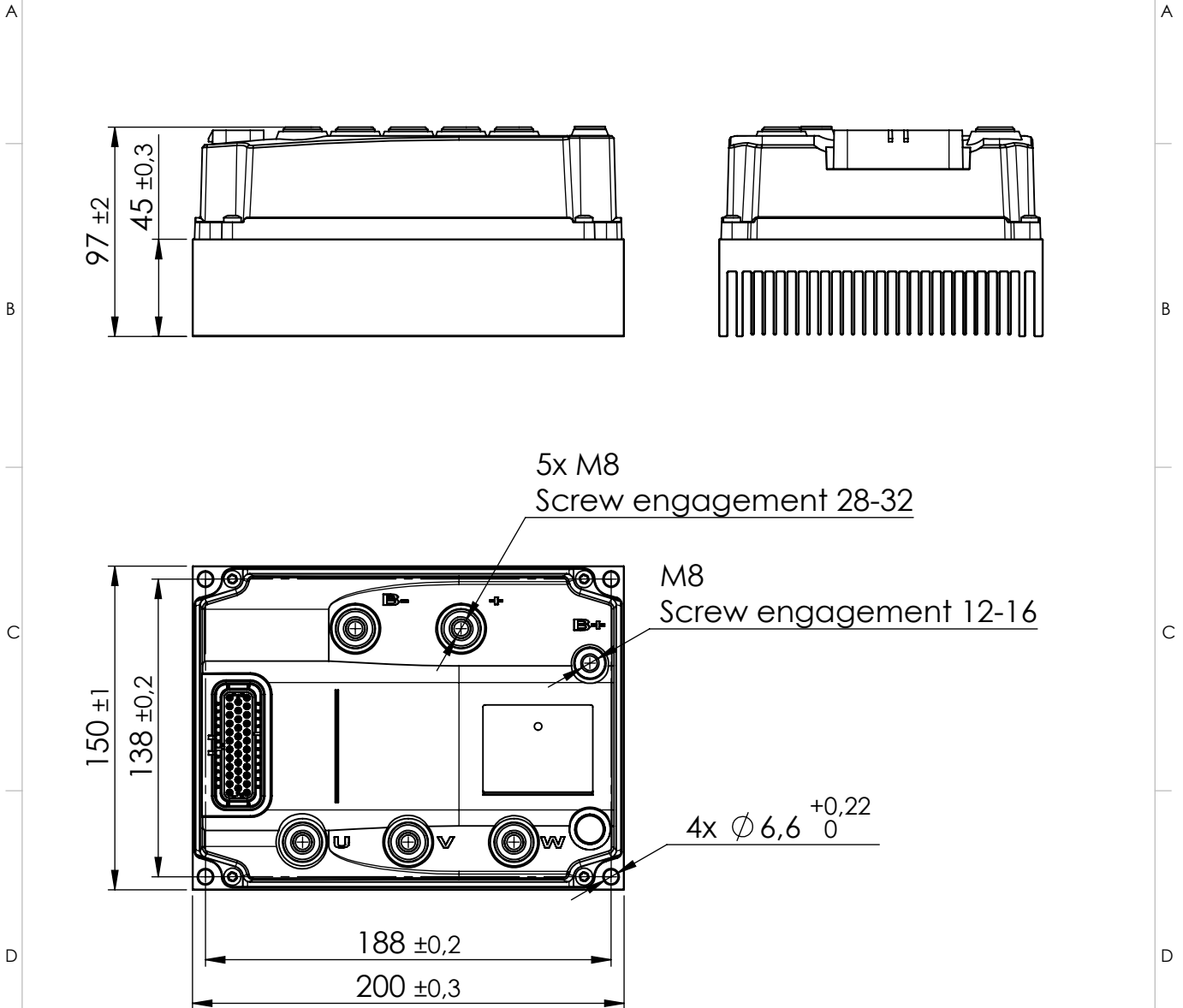


Rev	Change note (from PDMW)	Changed	Date
01		LHN	2017-02-21



- Drawing notes:
1. See 3D-model for further details.
 2. Weight $\pm 10\%$.
 3. I/O connector versions:
 - a) 23 pos AMP seal blk
 - b) 35 pos AMP seal blk

Material:					
Surface Treatment:					
Description Standard ACS G7 M Heatsink T					
Status released	Initial Designer LHN	Weight 2,9 kg	General Tolerance -	General Roughness Ra:	Units mm
Document No. MC001738C		Rev 01	Page No. 1(1)	Projection View 	