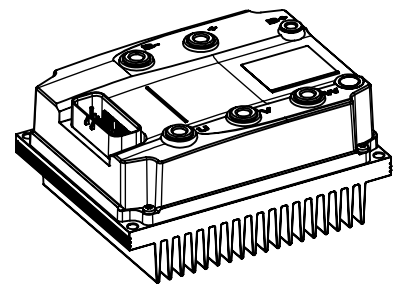
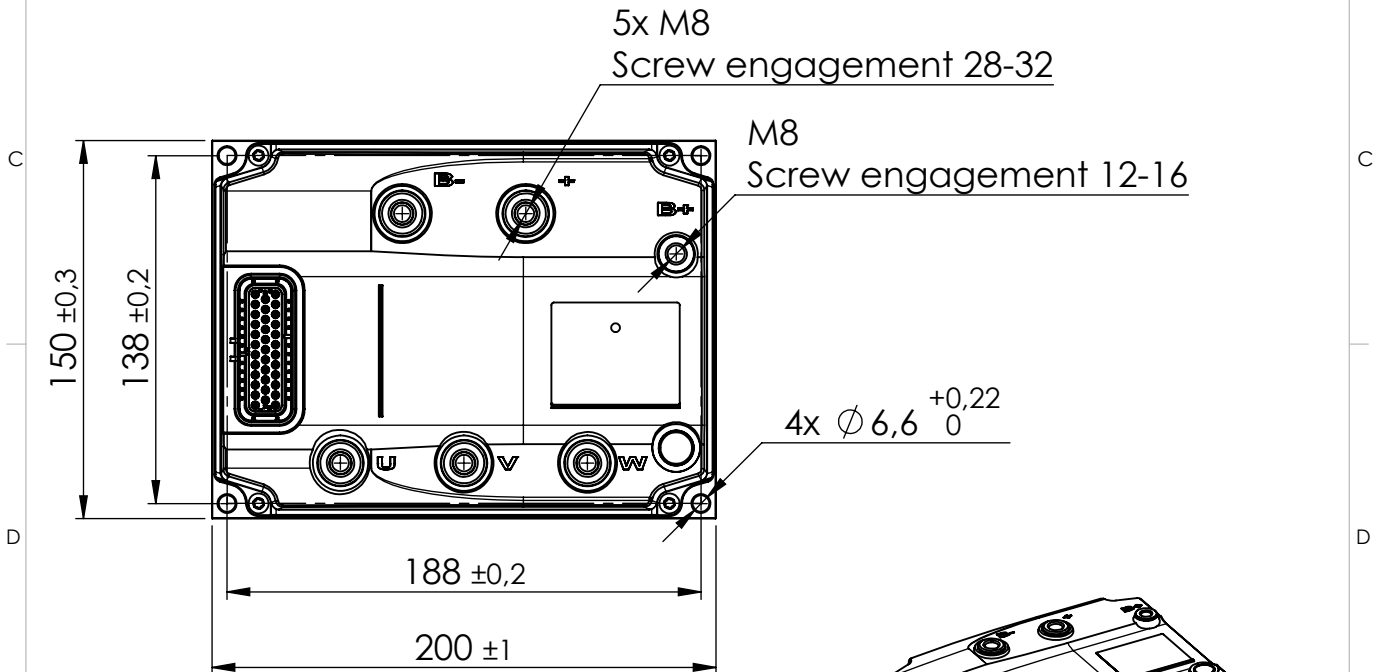
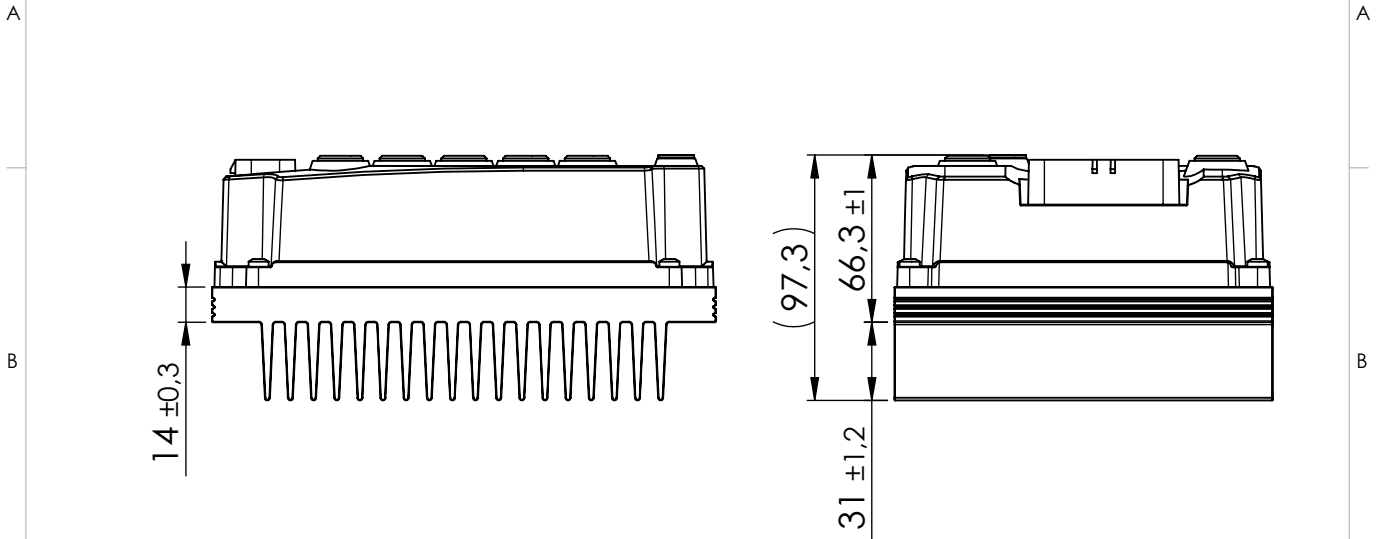


Rev	Change note (from PDMW)	Changed	Date
01		LHN	2017-02-21



Drawing notes:

1. See 3D-model for further details.
2. Weight  $\pm 10\%$ .
3. I/O connector versions:
  - a) 23 pos AMP seal blk
  - b) 35 pos AMP seal blk

Material:

Surface Treatment:

Description

Standard ACS G7 M Heatsink F

Status	Initial Designer	Weight	General Tolerance	General Roughness	Units
released	LHN	2,9 kg	-	Ra:	mm

Document No.	Rev	Page No.	Projection View
MC001738D	01	1(1)	