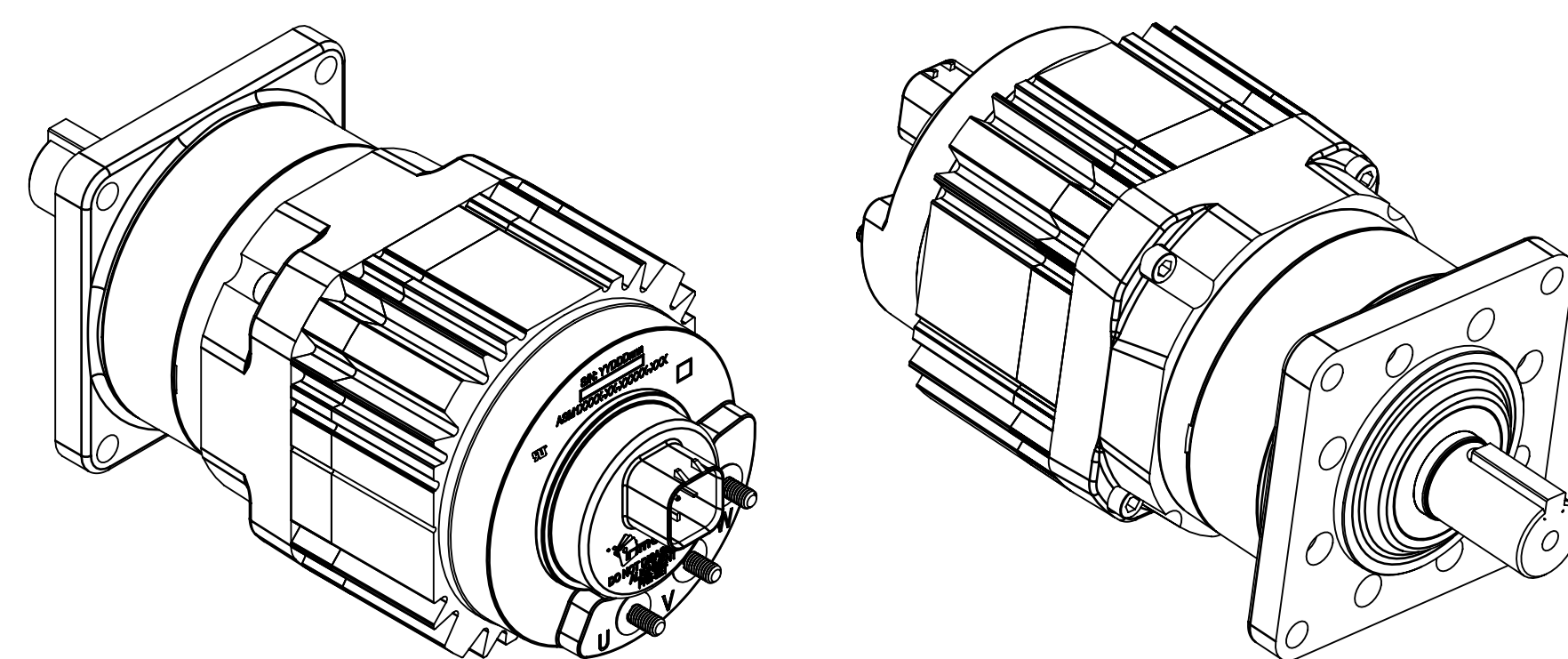
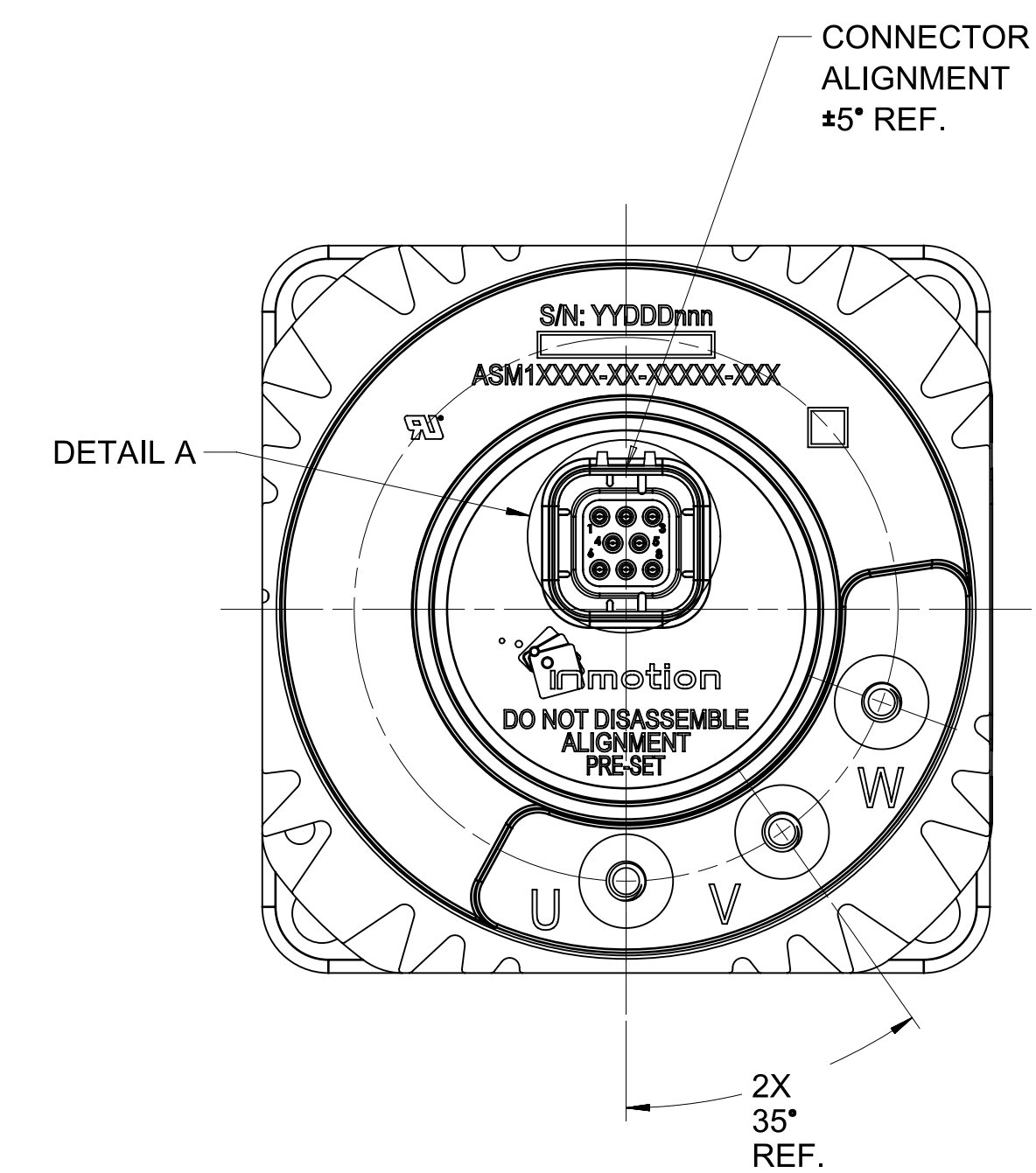
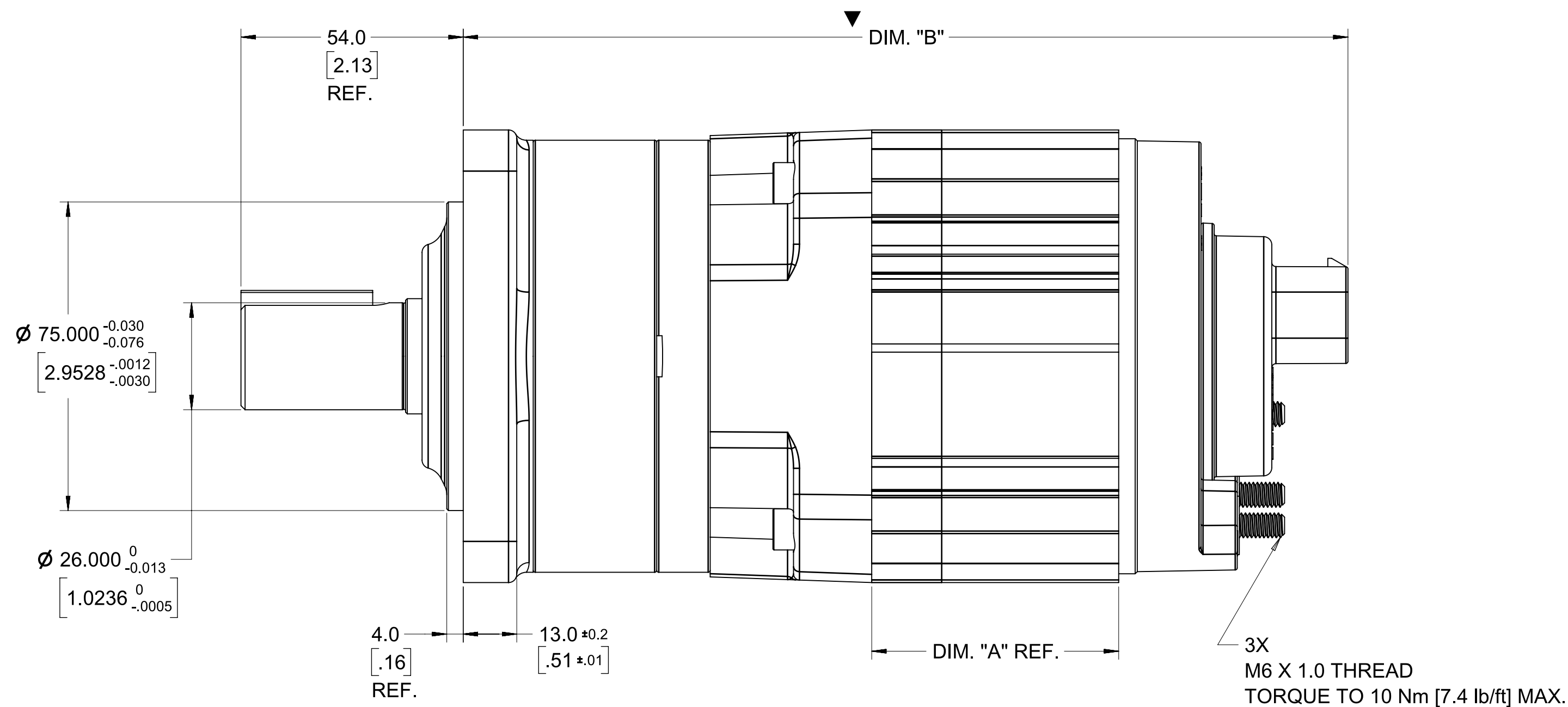
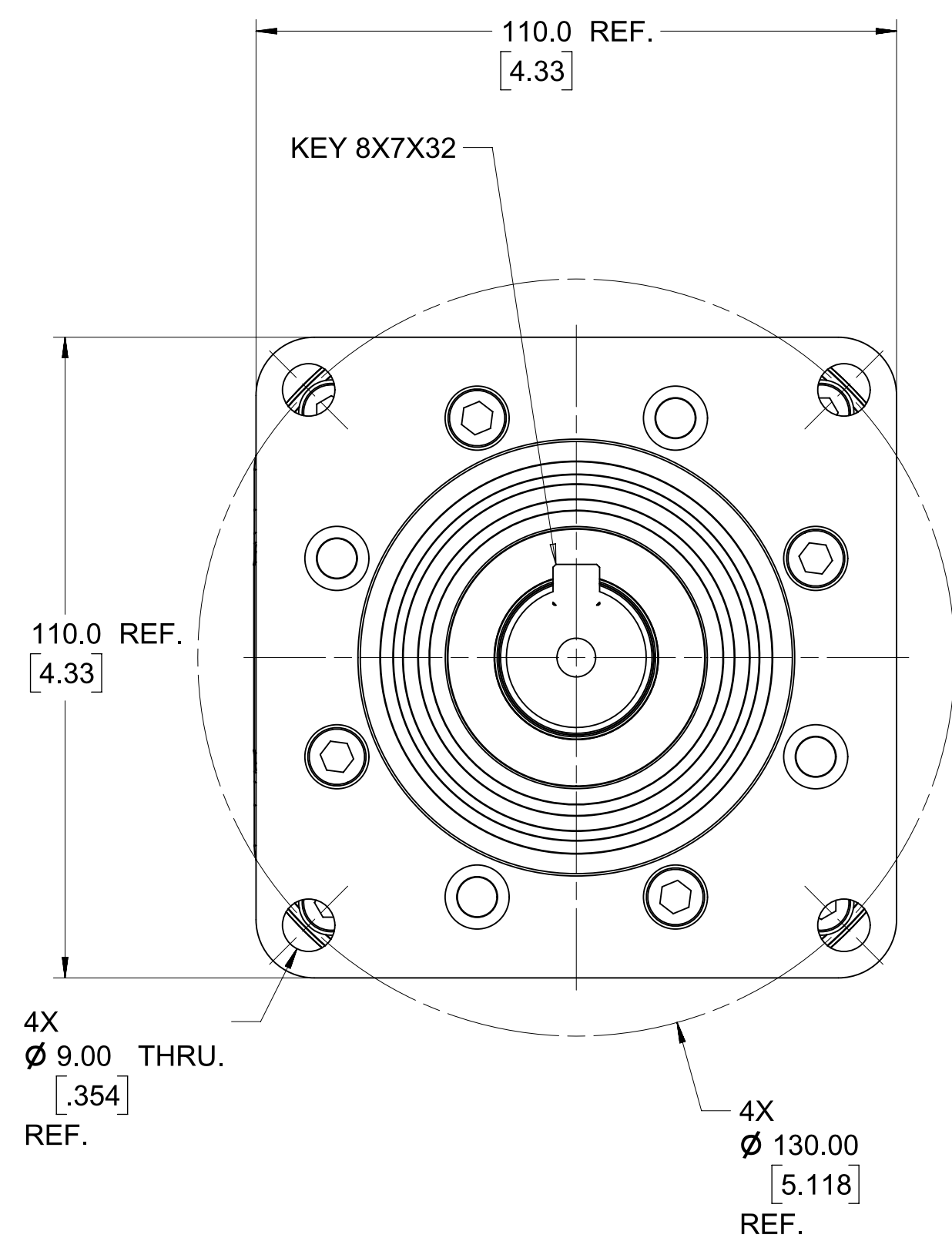
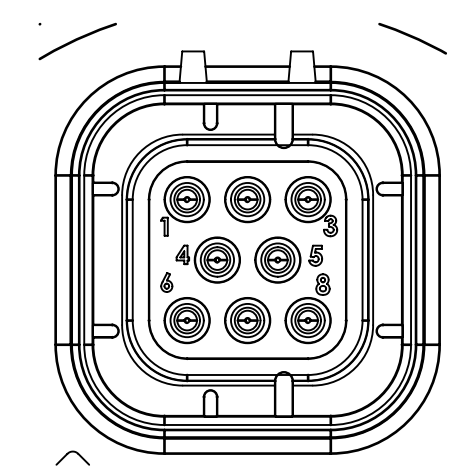


- NOTES:
 1. GEAR BOX TO BE ALIGNED AS SHOWN.
 2. DIRECTION OF ROTATION CW, AS VIEWED FROM SHAFT OUTPUT END, WHEN COMMUTATING U → V → W.
 3. APPROXIMATE WEIGHT REF: SEE TABLE

PART NUMBER	DIM "A" REF	DIM "B" ▼	WEIGHT (REF.)
ASM102XX-DA-S87XX	15.00 [0.591]	168.54 - 172.72 [6.635 - 6.800]	5.42 Kg. [11.945 lbs.]
ASM103XX-DA-S87XX	30.00 [1.181]	183.54 - 187.72 [7.226 - 7.391]	6.89 Kg. [15.194 lbs.]
ASM105XX-DA-S87XX	45.00 [1.772]	198.54 - 202.72 [7.817 - 7.981]	8.37 Kg. [18.443 lbs.]
ASM106XX-DA-S87XX	60.00 [2.362]	213.54 - 217.72 [8.407 - 8.572]	9.86 Kg. [21.741 lbs.]



PIN #	DESCRIPTION
1	COSINE OUTPUT SENSOR 2
2	SINE OUTPUT SENSOR 2
3	SUPPLY GROUND
4	MOTOR THERMISTOR GROUND
5	MOTOR THERMISTOR SENSE
6	COSINE OUTPUT SENSOR 1
7	SINE OUTPUT SENSOR 1
8	SUPPLY VOLTAGE



DETAIL A
(SCALE 2:1)

REV	ECO NO.	DESCRIPTION	DATE	APP'D
C	201.20337	CREQ TO NX, TABULATE	20.8.18	AH
B	N/A	SKIPPED REV B		
A	N/A	SKIPPED REV A	8/30/18	AH

REV	ECO NO.	DESCRIPTION	DATE	APP'D
A	N/A	SKIPPED REV A	8/30/18	AH

UNLESS OTHERWISE SPECIFIED, DIMENSIONS APPLY BEFORE COATINGS REMOVE ALL SHARP BURRS AND BREAK ALL SHARP EDGES	MILLIMETER VALUES: ANGULAR TOLERANCE: ±1° X DEC. PLACE: ±0.4mm XX DEC. PLACE: ±0.13mm	INCH VALUES: ANGULAR TOLERANCE: ±1° XX DEC. PLACE: ±0.015° XXX DEC. PLACE: ±0.005°
DO NOT SCALE DRAWING: USE DIMENSIONS ONLY. ALL DIMENSIONS ARE IN MM (INCH) (INCH DIMENSIONS IN BRACKETS) ARE FOR REFERENCE ONLY	DO NOT SCALE DRAWING: USE DIMENSIONS ONLY. ALL DIMENSIONS ARE IN MM (INCH) (INCH DIMENSIONS IN BRACKETS) ARE FOR REFERENCE ONLY	DO NOT SCALE DRAWING: USE DIMENSIONS ONLY. ALL DIMENSIONS ARE IN MM (INCH) (INCH DIMENSIONS IN BRACKETS) ARE FOR REFERENCE ONLY

PIN #	DESCRIPTION
1	COSINE OUTPUT SENSOR 2
2	SINE OUTPUT SENSOR 2
3	SUPPLY GROUND
4	MOTOR THERMISTOR GROUND
5	MOTOR THERMISTOR SENSE
6	COSINE OUTPUT SENSOR 1
7	SINE OUTPUT SENSOR 1
8	SUPPLY VOLTAGE

DESIGN CONTROL LOCATION	3157 State Street	Blacksburg, Virginia 24060	United States of America
MOTOR AND GEARBOX OUTLINE	ASM1XXXX-DA-S87XX		

DATE	BY	DATE	BY
03-Aug-2018	UL	03-Aug-2018	UL
08/20/18	AH	08/20/18	AH
08/20/18	AH	08/20/18	AH

SIZE	DWG. NO.	REV.
D	970446	C

SCALE	SHEET
1:1	1 OF 1