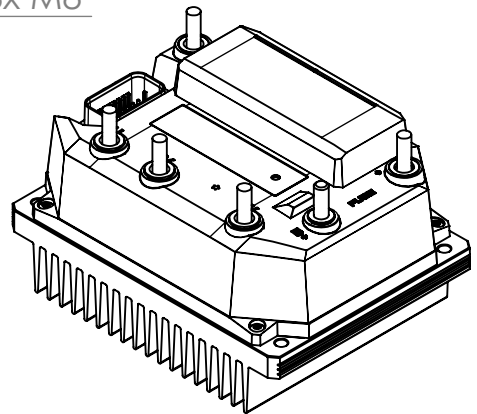
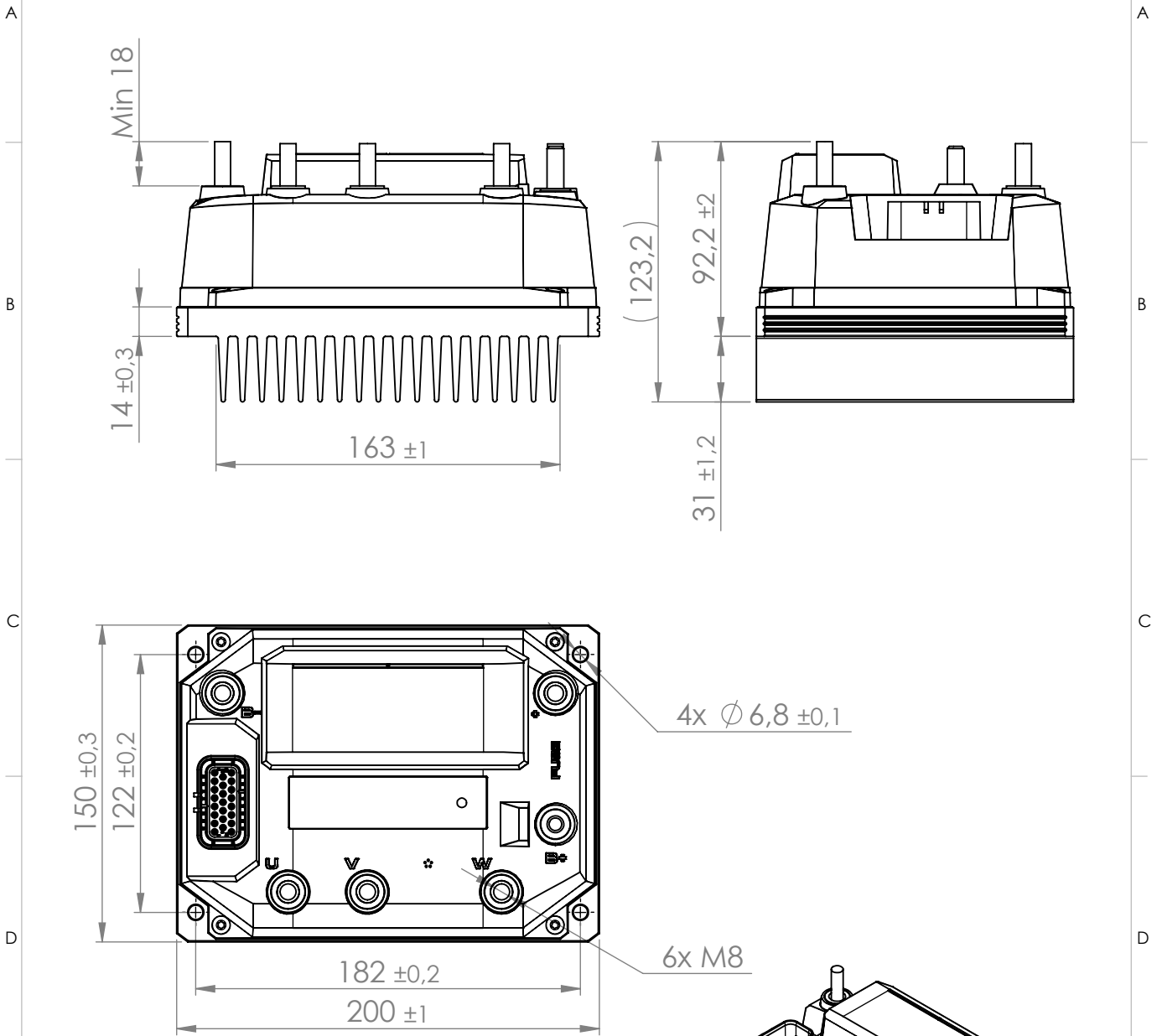


Rev	Change note (from PDMW)	Changed	Date
02	Updated dimensions on short side view, to reference mounting side of heatsink flange.	SHM	2016-03-02



- Drawing notes:**
1. See 3D-model for further details.
 2. I/O connector versions:
 - a. 23 pos AMP seal blk
 - b. 35 pos AMP seal blk
 3. Weight +/- 10%.
 4. Fuse connection (M8) is optional.

Material:					
Surface Treatment:					
Description Standard ACS S/S+, ACC 007 Heatsink F					
Status released	Initial Designer LHN	Weight 3.2kg	General Tolerance	General Roughness Ra:	Units mm
Document No. MC000961A		Rev 02	Page No. 1(1)	Projection View 	