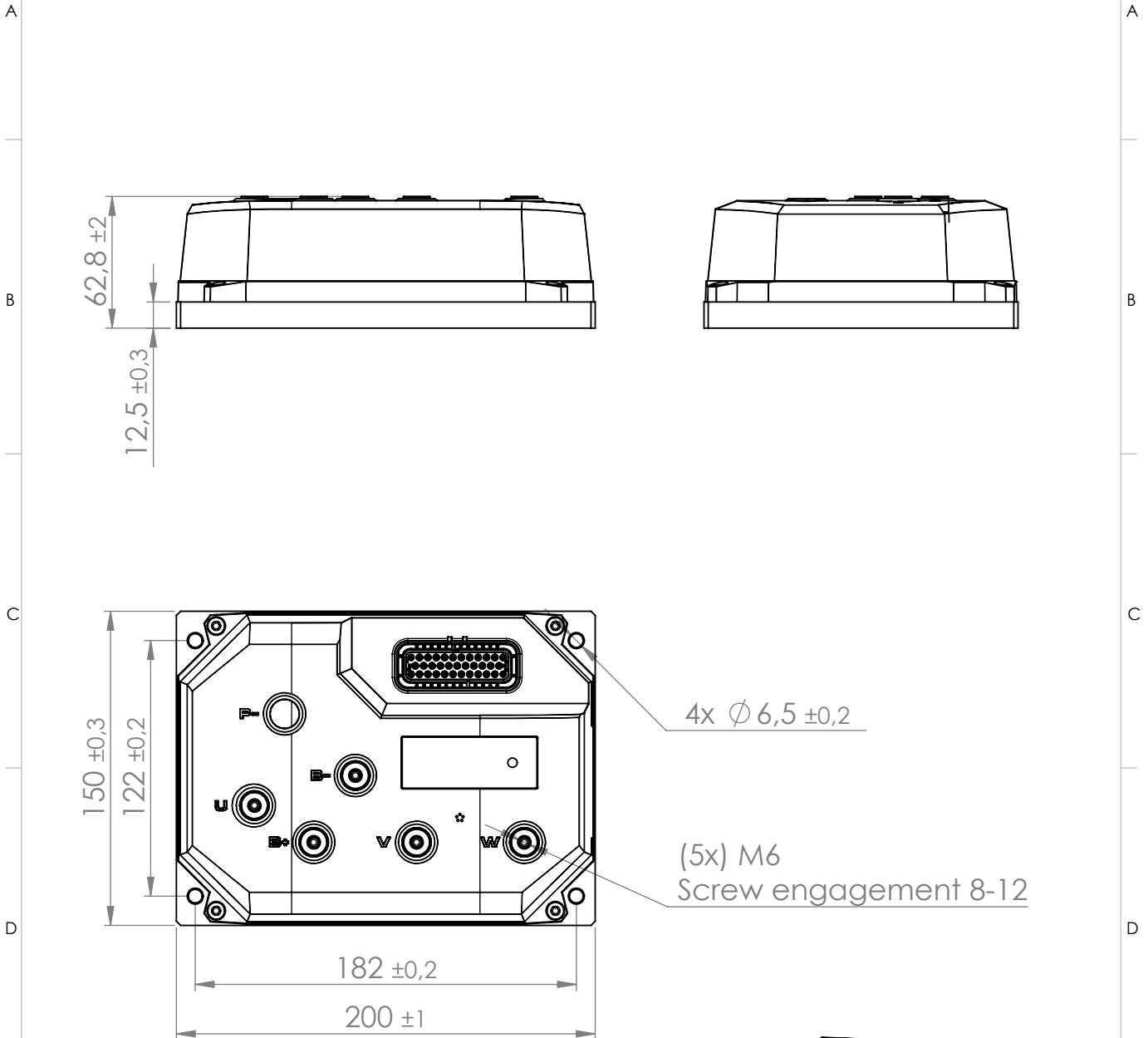
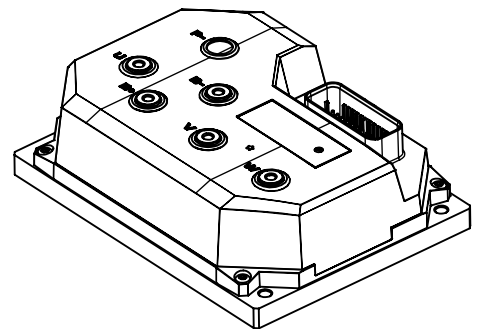


Rev	Change note (from PDMW)	Changed	Date
01	First release acc to revised company standard.	LHN	2016-02-01



Drawing notes:

1. See 3D-model for further details.
2. I/O connector versions:
 - a. 35 pos AMP seal blk
3. Weight +/- 10%.
4. Pump (P-, M6) connection, XCS version only.



Material:

Surface Treatment:

Description
Standard ACS XS/XSC Heatsink C

Status released	Initial Designer RPS	Weight 1.8kg	General Tolerance	General Roughness Ra:	Units mm
---------------------------	--------------------------------	------------------------	-------------------	---------------------------------	--------------------

Document No. MC001020B	Rev 01	Page No. 1(1)	Projection View
----------------------------------	------------------	-------------------------	---------------------