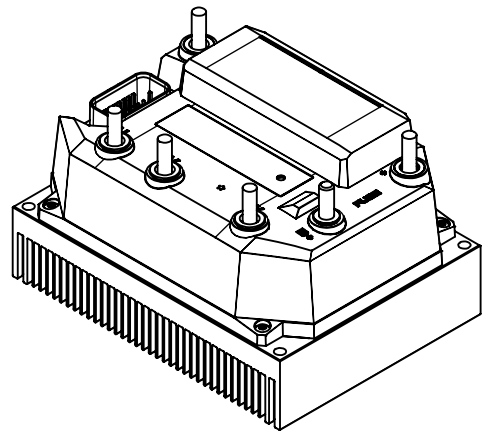
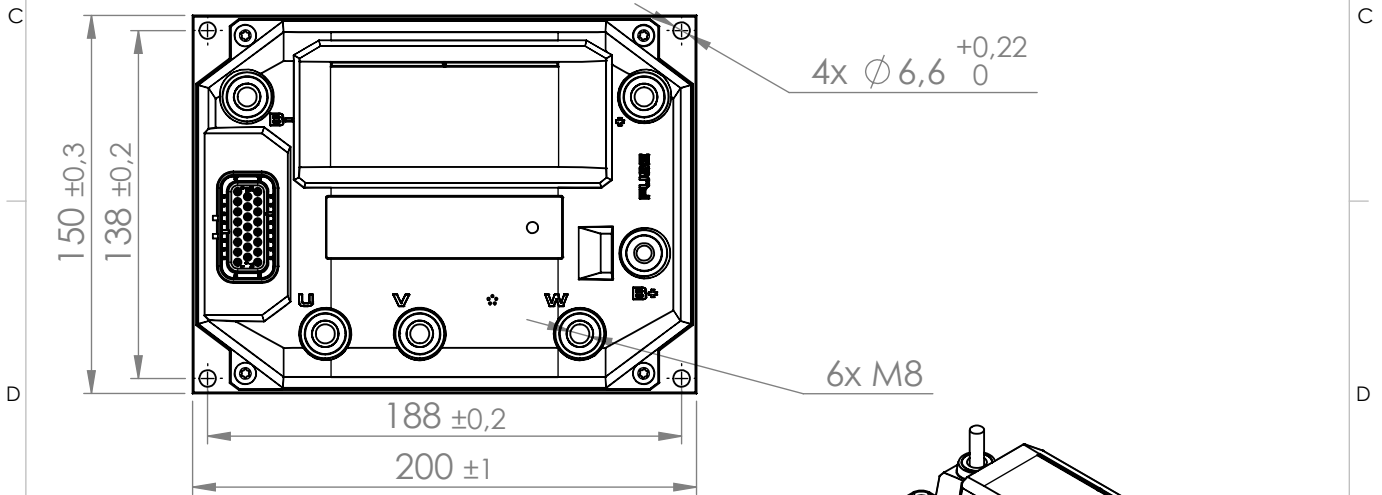
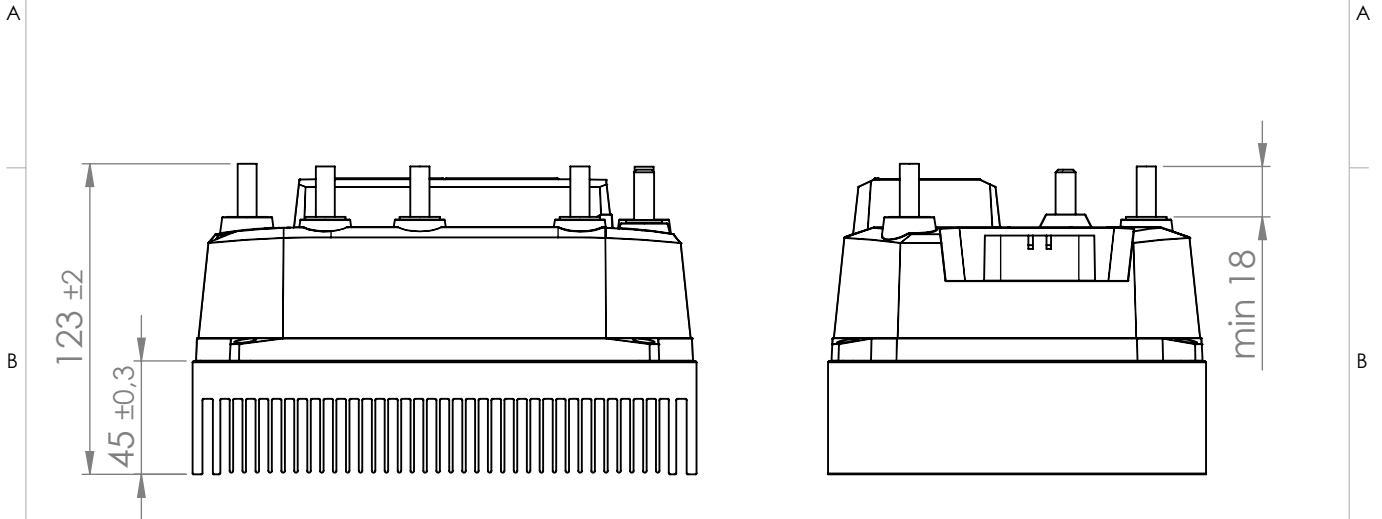


1	2	3	4
Rev	Change note (from PDMW)	Changed	Date
02		SHM	2016-02-01



- Drawing notes:
1. See 3D-model for further details.
 2. I/O connector versions:
 - a. 23 pos AMP seal blk
 - b. 35 pos AMP seal blk
 3. Weight +/- 10%.
 4. Fuse connection (M8) is optional.

Material:

Surface Treatment:

Description
Standard ACS S/S+ Heatsink Y

Status	Initial Designer	Weight	General Tolerance	General Roughness	Units
released	LHN	3.2kg		Ra:	mm

Document No.	Rev	Page No.	Projection View
MC000961C	02	1(1)	