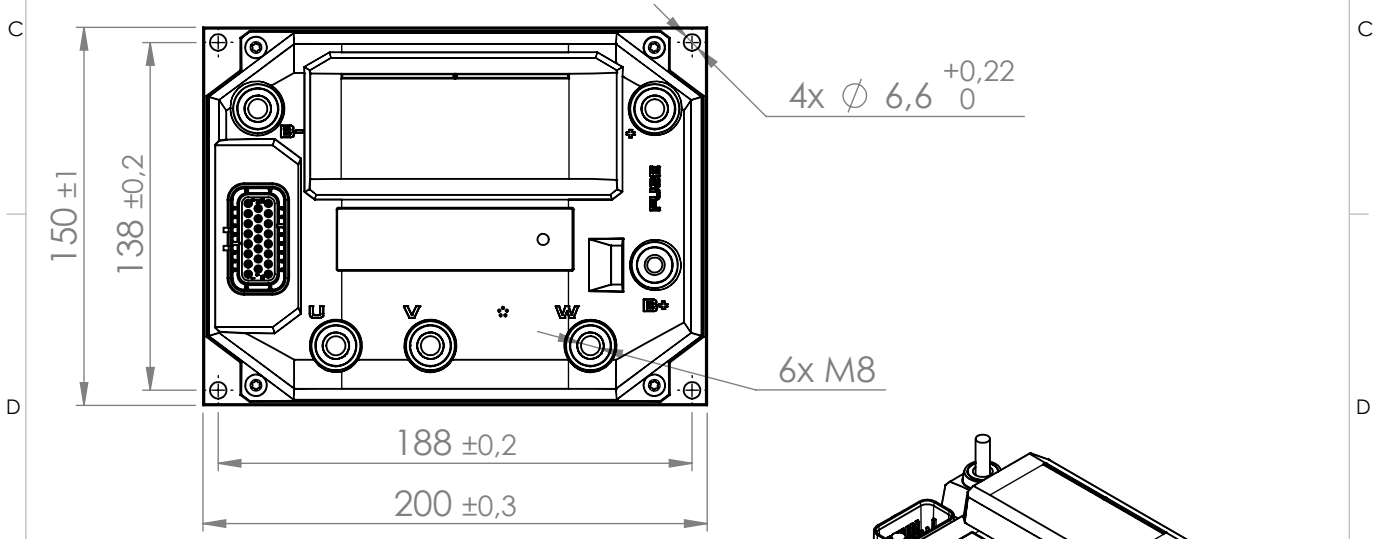
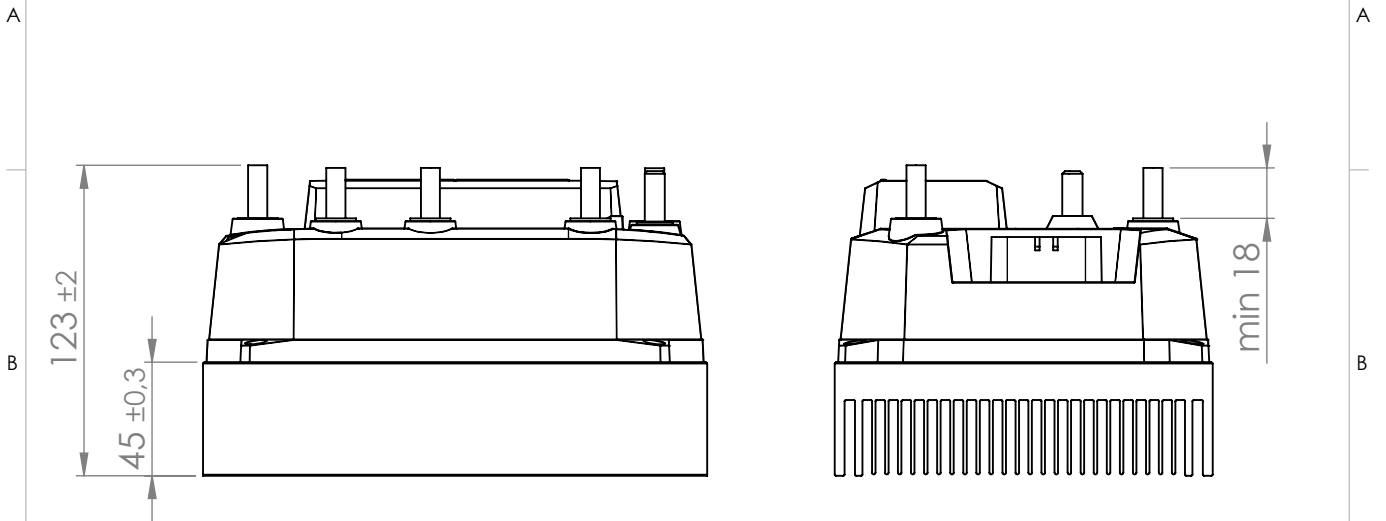
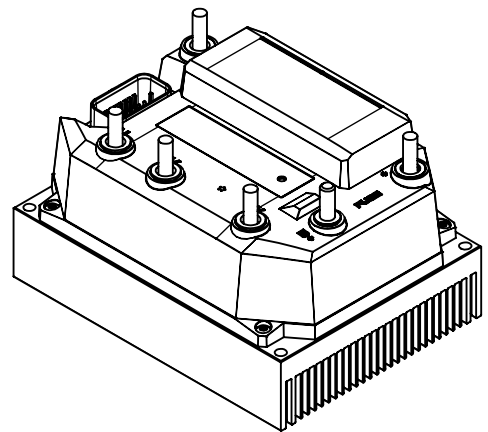


Rev	Change note (from PDMW)	Changed	Date
03	First release acc to revised company standard.	SHM	2016-02-01



- Drawing notes:
1. See 3D-model for further details.
 2. I/O connector versions:
 - a. 23 pos AMP seal blk
 - b. 35 pos AMP seal blk
 3. Weight +/- 10%.
 4. Fuse connection (M8) is optional.



Material:					
Surface Treatment:					
Description Standard ACS S/S+ Heatsink T					
Status released	Initial Designer LHN	Weight 3.2kg	General Tolerance	General Roughness Ra:	Units mm
Document No. MC000961D		Rev 03	Page No. 1(1)	Projection View 	