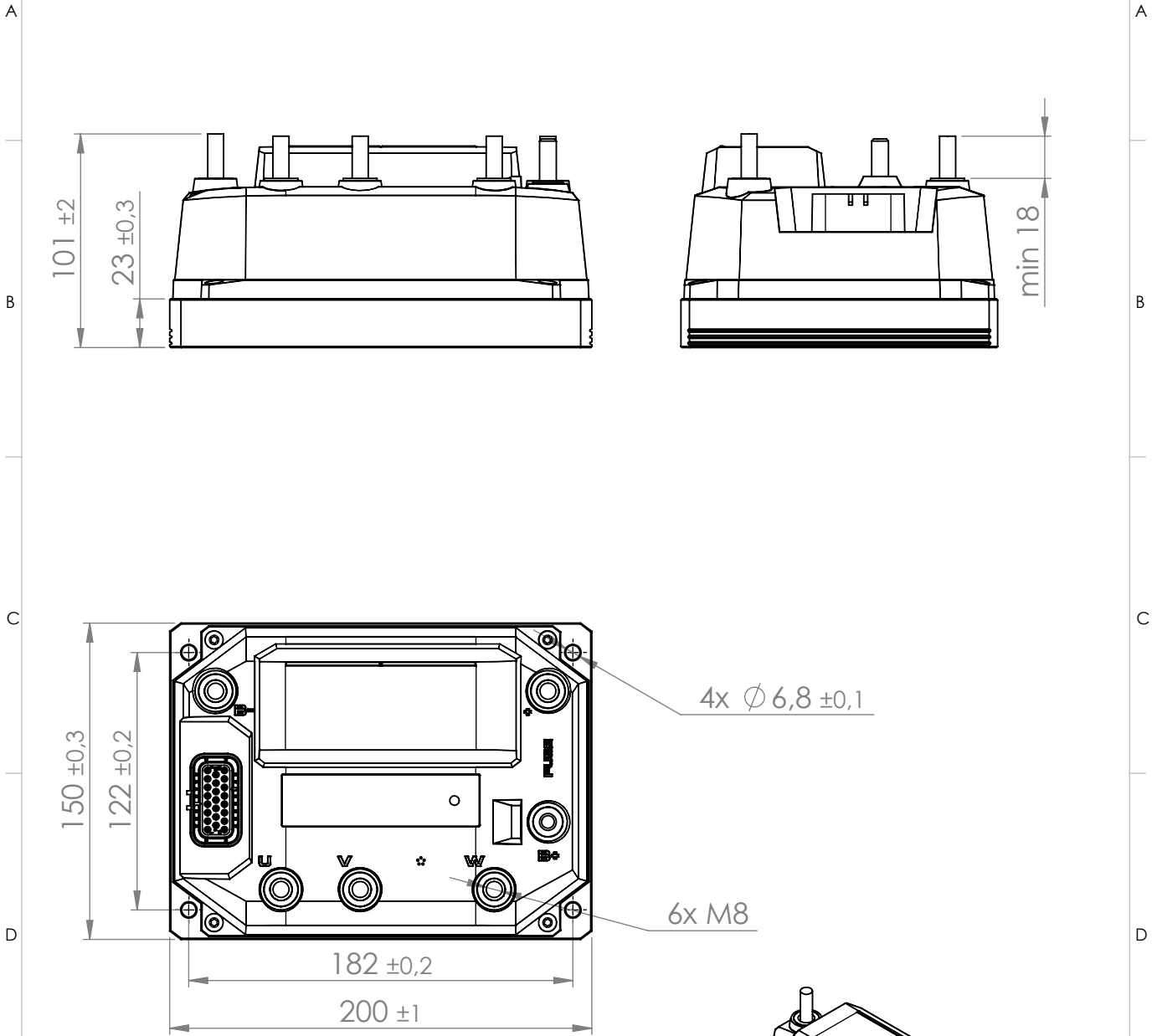
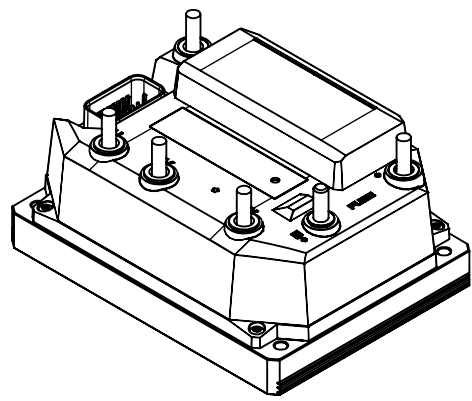


1	2	3	4
Rev	Change note (from PDMW)	Changed	Date
01	First release acc to revised company standard.	SHM	2016-02-01



- Drawing notes:
1. See 3D-model for further details.
  2. I/O connector versions:  
a. 23 pos AMP seal blk  
b. 35 pos AMP seal blk
  3. Weight +/- 10%.
  4. Fuse connection (M8) is optional.



Material:					
Surface Treatment:					
Description Standard ACS S/S+, ACC 007 Heatsink C					
Status	Initial Designer	Weight	General Tolerance	General Roughness	Units
released	LHN	3.2kg		Ra:	mm
Document No.		Rev	Page No.	Projection View	
MC000961B		01	1(1)		